

## Zone valve, 300PSI

Internally threaded valves for on/off control

### Design Features

- Complete with actuator
- Easy installation
- Metal housing and cover
- Special rubber element provides absolutely tight shut-off
- Auto/manual lever allow Manual operation

Model XZV--.--



### Application

The zone valves are used in heating, ventilating and air conditioning plants to control the flow of hot or chilled water.

### Types and operating data

#### 2-way zone valve

Type*	Size		Supply a.c. (±10%)	Capacity rating <sup>1)</sup>		Max. closeoff pressure	
	inches	mm		Cv	Kv	psi	kPa
XZV15.224	1/2"	15	24V	3.0	2.5	25	175
XZV20.224	3/4"	20	24V	5.2	4.5	20	140
XZV25.224	1"	25	24V	7.0	6.0	14	100
XZV15.212	1/2"	15	120V	3.0	2.5	25	175
XZV20.212	3/4"	20	120V	5.2	4.5	20	140
XZV25.212	1"	25	120V	7.0	6.0	14	100
XZV15.223	1/2"	15	230V	3.0	2.5	25	175
XZV20.223	3/4"	20	230V	5.2	4.5	20	140
XZV25.223	1"	25	230V	7.0	6.0	14	100

## 3-way zone valves

Type*	Size		Supply a.c. (±10%)	Capacity rating <sup>1)</sup>		Max. closeoff Pressure	
	inches	mm		Cv	Kv	psi	kPa
<b>XZV15.324</b>	1/2"	15	24V	3.0	2.5	25	175
<b>XZV20.324</b>	3/4"	20	24V	5.2	4.5	20	140
<b>XZV25.324</b>	1"	25	24V	7.0	6.0	14	100
<b>XZV15.312</b>	1/2"	15	120V	3.0	2.5	25	175
<b>XZV20.312</b>	3/4"	20	120V	5.2	4.5	20	140
<b>XZV25.312</b>	1"	25	120V	7.0	6.0	14	100
<b>XZV15.323</b>	1/2"	15	230V	3.0	2.5	25	175
<b>XZV20.323</b>	3/4"	20	230V	5.2	4.5	20	140
<b>XZV25.323</b>	1"	25	230V	7.0	6.0	14	100

1) Optional flow coefficient available on request

\*XZV...../S Zone valves as specified above but with auxiliary switch

## Technical data

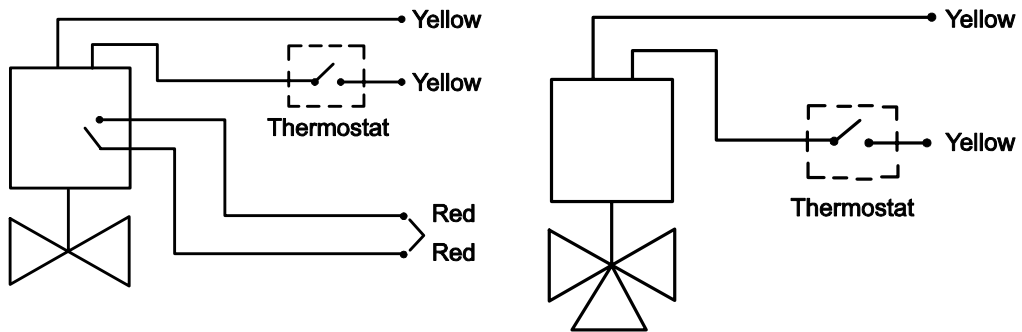
### Actuator

Operating voltage <sup>1)</sup>	See "Types and operating data"	
Frequency	50/60 Hz	
Power consumption	- 230V	7 watt
	- 120V/24V	5 watt
Running time	- opening	15s (electrically)
	- closing	5s (by spring)
Auxiliary switch (XZV..../S)		
Switching capacity	230Va.c. 3A	
Max. ambient temperature.	140°F (60°C)	
Length of connection wires	12" (30.5cm) AWG18 lead wire	

## Valve

Static test pressure	400PSI (28 bar)
Material	- Valve body Forged brass - Valve flap NBR
Medium	Non-drinking water up to 194°F (90°C)
Operating pressure	Max. 300PSI (21 bar)
Thread dimension <sup>2)</sup>	NPT
Dimension	See "Dimensions"

## Wiring diagram



Yellow --- Motor leads  
Red — End switch leads

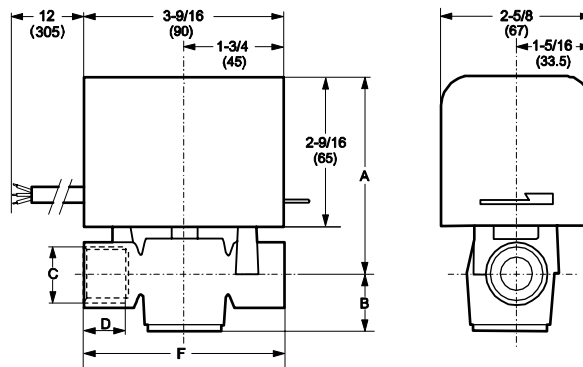
Due to ongoing research and product improvement, specifications are subject to change without notice.

## Dimensions

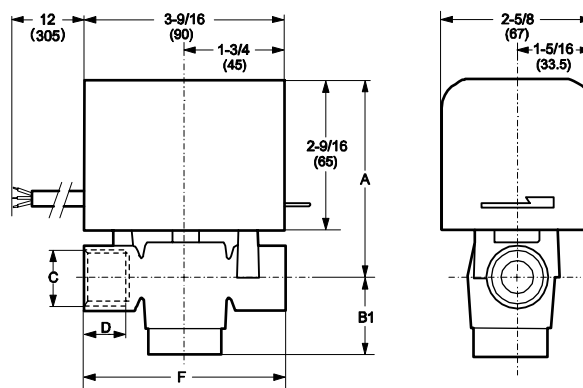
Dimensions in inch (mm)

Size		A	B	B1	C	D	F
inches	mm						
1/2"	15	3-3/8 (86)	7/8 (22.5)	1-3/8 (34.5)	1/2"NP T	9/16 (15)	3-1/16 (78)
3/4"	20	3-3/8 (86)	7/8 (22.5)	1-3/8 (34.5)	3/4"NP T	9/16 (15)	3-1/16 (78)
1"	25	3-3/8 (86)	15/16 (24.5)	1-3/8 (35.0)	1"NPT	11/16 (17.5)	3-1/4 (82)

XZV...2...



XZV...3...



Locally Distributed By

