

## Liquid Flow switch

Model XFS10. \_ \_ \_

### Design Features

- Complete with 4 paddles for any pipe size.
- Adjustable switching point
- Dust-tight micro switch with N.O. / N.C. switching contacts



### Application

Adjustable flowswitch for monitoring the flow of liquids in hydraulic systems mainly for refrigeration plants, heat pumps and heating plants.

### Types and operating data

- XFS10.011** Liquid flowswitch with max. working pressure of 11 bar.  
**XFS10.022** Liquid flowswitch with max. working pressure of 22 bar.

### Flow rate

Pipe connector dia.	Min. adjustment m <sup>3</sup> /h		Max. adjustment m <sup>3</sup> /h	
	Cut-off	Cut-in	Cut-off	Cut-in
1"	0,6	1,0	2,0	2,1
1 1/4"	0,8	1,3	2,8	3,0
1 1/2"	1,1	1,7	3,7	4,0
2"	2,2	3,1	5,7	6,1
2 1/2"	2,7	4,0	6,5	7,0
3"	4,3	6,2	10,7	11,4
4"	11,4	14,7	27,7	29,0
5"	22,9	28,4	53,3	55,6
6"	35,9	43,1	81,7	85,1
8"	72,6	85,1	165,7	172,5

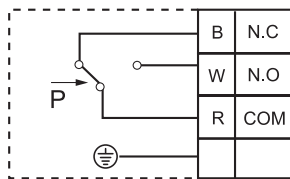
## Technical data

Max. working pressure	See "Types and operation data"
Switching capacity	15 (8) A, 24...250 V a.c.
Material - Housing	Galvanized steel sheet plate with ABS cover
- Body and lever	Brass
- Paddles	Stainless steel V4A
Protection degree	IP65
Thread dimension	1" GAS
Permissible ambient condition	
- Operation	-40...85°C ,max.120°C
- Storage	-40...120°C
Weight	150g

## Approvals

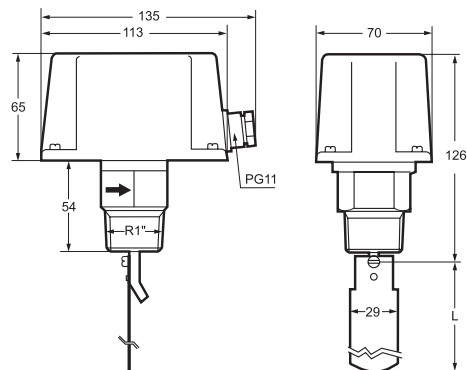
CE	Conformity to LVD	73/23/EEC
	TÜV certified	TÜV.S.93-16

## Wiring diagram



## Dimensions

(Unit :mm)



Locally Distributed By

