

Low Differential Pressure Transmitters

Model ACI/LP

Design Features

- Linear 4-20mA output
- Temperature compensation
- $\pm 1.1\%$ Accuracy



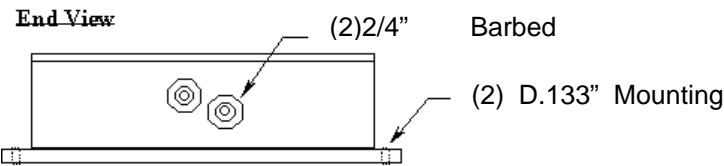
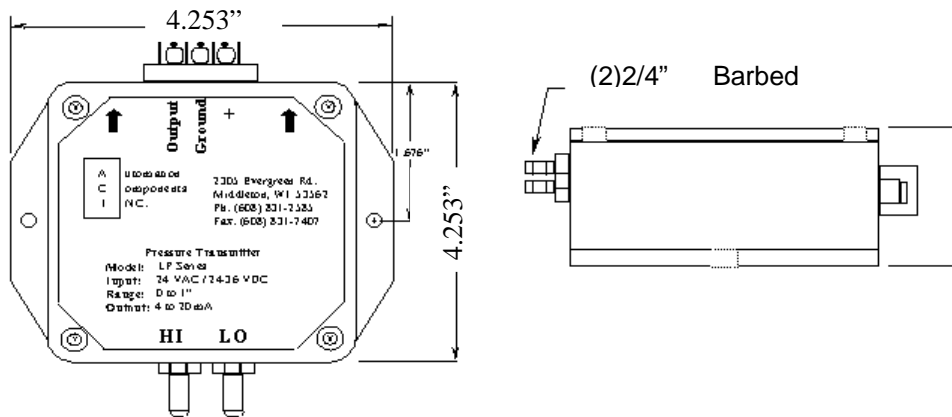
The ACI/LP Series transmitters are a low cost alternative to the ACI/DP Series pressure transmitter. The ACI/LP Series is a basic 4-20mA transmitter, with uni-directional spans. These pressure transmitters incorporate a piezoresistive, silicon micromachined sensing element to enable very low pressure measurements. Integrated temperature compensation with offset and span calibration extends performance of these devices without a sacrifice in accuracy. The transmitters are powered by a 24 to 36 VDC or 24 VAC supply. The electronics provide a two-wire linear 4-20mA current loop or an optional voltage output. The uni-directional spans range from 0-1" to 0-10" WC. Factory units are calibrated with a 4-20mA output as standard. If voltage output units are required, they must be ordered as such from the factory.

Specification

Supply Voltage	24 to 36 VDC / 24VAC	Accuracy	$\pm 1.1\%$ F.S.O.
Temperature Range			
Operating	- 13 to 185 (-25 to 85)	Repeatability	$\pm 0.3\%$ F.S.O. nominal
Compensate	+ 32 to 122 (0 to 50)	Full Scale Shift	$\pm 2\%$ F.S.O. (0 to 50)
Output	2-wire, Linear 4 to 20mA or 3-wire, 1 to 5 or 2 to 10 VDC	Media	Dry air or inert non-conductive gases

Due to ongoing research and product improvement, specifications are subject to change without notice.

Dimensions



Ordering Information

ACI/LP	-	<input type="checkbox"/>	-	<input type="checkbox"/>
Model		Span		Output
(1)		0 to 1.0"	(5)	0 to 5 VDC
(2)		0 to 2.0"	(10)	0 to 10 VDC
(3)		0 to 3.0"	(20)	4 to 20 mA
(5)		0 to 5.0"		
(10)		0 to 10.0"		
		Please Specify		

Locally Distributed By